

paddle

GENERAL CHARACTERISTICS

Instruments operate by a spring-supported paddle with magnetic triggering of a reed switch.

- * good repeatability
- * low pressure loss
- * dirt resistant
- * hermetic separation of electrical and hydraulic components
- * stress free fixation of switch unit by plastic cap

Female thread G3/8 to G2 brass/stainless steel



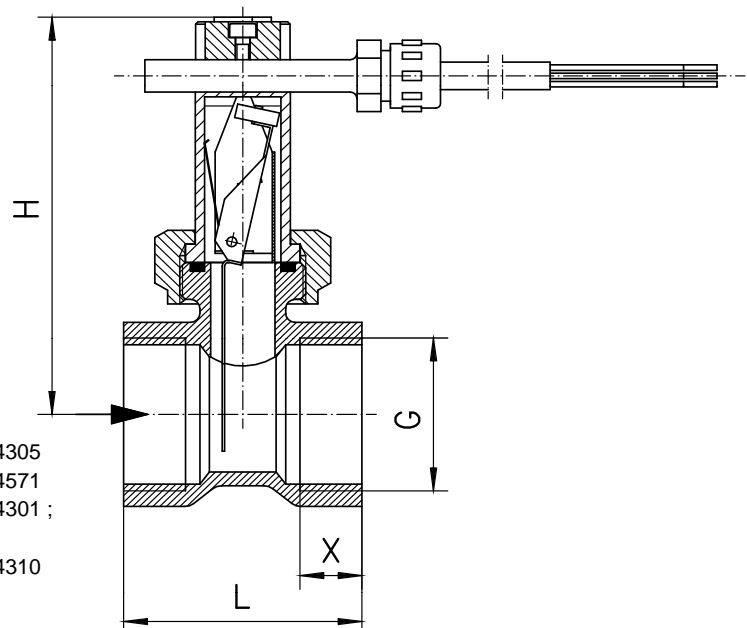
UR1-020GM

TECHNICAL DATA

	G	Type	PN bar	Qmax.recom. l/min H ₂ O	adjustable range l/min H ₂ O	H mm	L mm	X mm	weight kg
brass	G 3/8	UR.-010GM	25	10	2.5 - 3.5	81	50	10	0,35
	G 1/2	UR.-015GM	25	20	4 - 4.5	81	50	10	0,35
	G 3/4	UR.-020GM	25	40	5 - 6	82	50	12	0,35
	G 1	UR.-025GM	25	60	9.5 - 11.5	86	50	12	0,40
	G 1 1/4	UR.-032GM	25	80	13.5 - 17.5	90	50	12	0,55
	G 1 1/2	UR.-040GM	25	100	30 - 38	93	50	12	0,60
	G 2	UR.-050GM	25	150	42 - 53	102	50	12	1,00
stainless steel	G 3/8	UR.-010GK	25	10	2.5 - 3.5	81	50	10	0,40
	G 1/2	UR.-015GK	25	20	4 - 4.5	81	50	10	0,41
	G 3/4	UR.-020GK	25	40	5 - 6	82	50	12	0,35
	G 1	UR.-025GK	25	60	9.5 - 11.5	86	50	12	0,45
	G 1 1/4	UR.-032GK	25	80	13.5 - 17.5	90	50	12	0,55
	G 1 1/2	UR.-040GK	25	100	30 - 38	93	50	12	0,70
	G 2	UR.-050GK	25	150	42 - 53	102	50	12	1,00

Adjustable range is indicated for horizontally decreasing flow.

tolerance	±15% of full scale
media temperature	max. 110°C
average pressure loss	0.01bar at Qmax.
hysteresis	depending on switch value minimum 0.7 l/min.



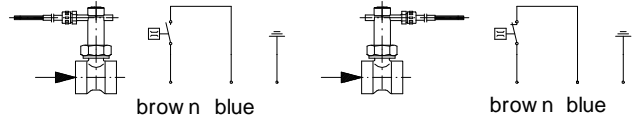
MATERIALS

	UR.-...GM	UR.-...GK
housing	brass Ms58	stainless steel 1.4305
body	brass Ms58	stainless steel 1.4571
paddle	stainless steel 1.4301 ; 1.4571	stainless steel 1.4301 ; 1.4571
spring	stainless steel 1.4310	stainless steel 1.4310
magnet	oxyd 300	oxyd 300
seal	NBR	viton

paddle

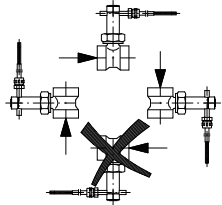
ELECTRICAL DATA

reed switch
 wiring 0.225
 n.c. or n.o. depending on installation position
 230 V AC 1A 50VA
 1.5 m cable
 protection class IP 65



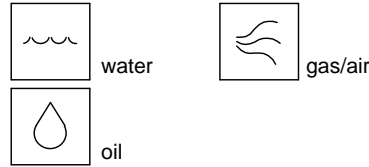
type UR2 (plastic switching unit) without earth. protection class 2

MOUNTING POSITION



Installation position may influence switch value.

METERING SUBSTANCES



NOMENCLATURE

For combinations see table "technical data"

UR1-	010	G	M		basic type specification	
UR1-				●	switch unit brass	
UR2-				○	switch unit and body plastic (PN10 - Tmax. 80°C - cable 0,5 m)	
	010			●	nominal diameter	
	015			●		DN 10 - G3/8
	020			●		DN 15 - G1/2
	025			●		DN 20 - G3/4
	032			●		DN 25 - G1
	040			●		DN 32 - G1 1/4
	050			●		DN 40 - G1 1/2
				●		DN 50 - G2
		G		●	female thread	
			M	●	brass design	
			K	●	stainless steel design	
				A ○	switch unit ATEX (product information 92.1.U1)	
Special option VARIO				□	setting / adjustable ranges for oil or gas special cable length	

IMPORTANT FOR YOUR ORDER

- Please indicate flow direction, metering substance and adjustable range with your order.
- With viscous liquids please indicate viscosity, temperature and metering substance (adjustable range on request)
- With gaseous media indicate pressure (relative or absolute), temperature and metering substance (adjustable range on request)

SPECIAL APPLICATIONS



UR2 plastic
 with fitting male thread plastic or brass G1/2A
 or fitting female thread G3/8 - G2



UI without magnet for liquid substances
 with ferrite contamination
 with fitting male thread plastic or brass G1/2A
 or fitting female thread G3/8 - G2

All technical changes reserved

●BASIC Standard ○BASIC Programme option □VARIO Special option ⊕ PLUS Accessories ✗not recommendable